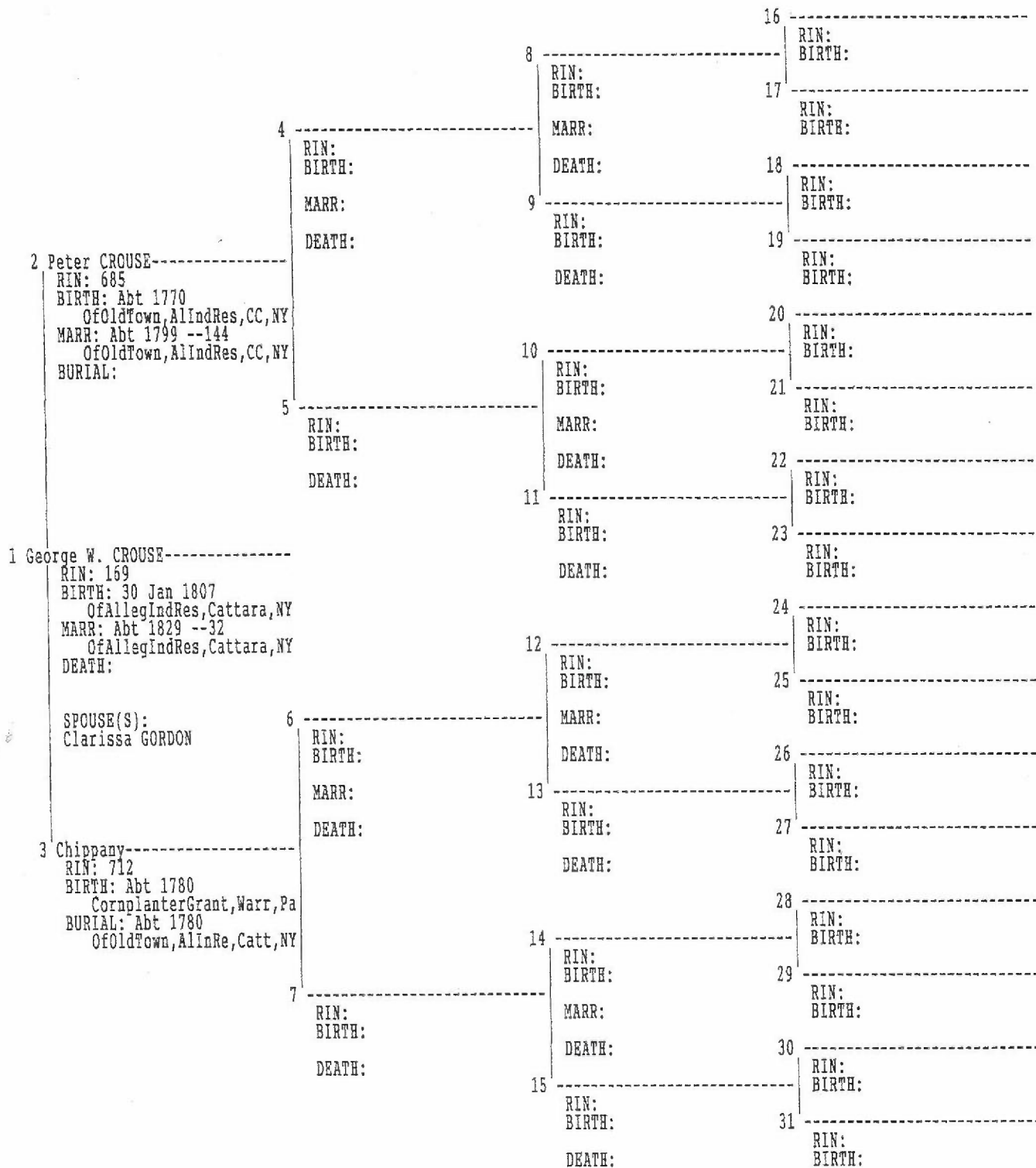


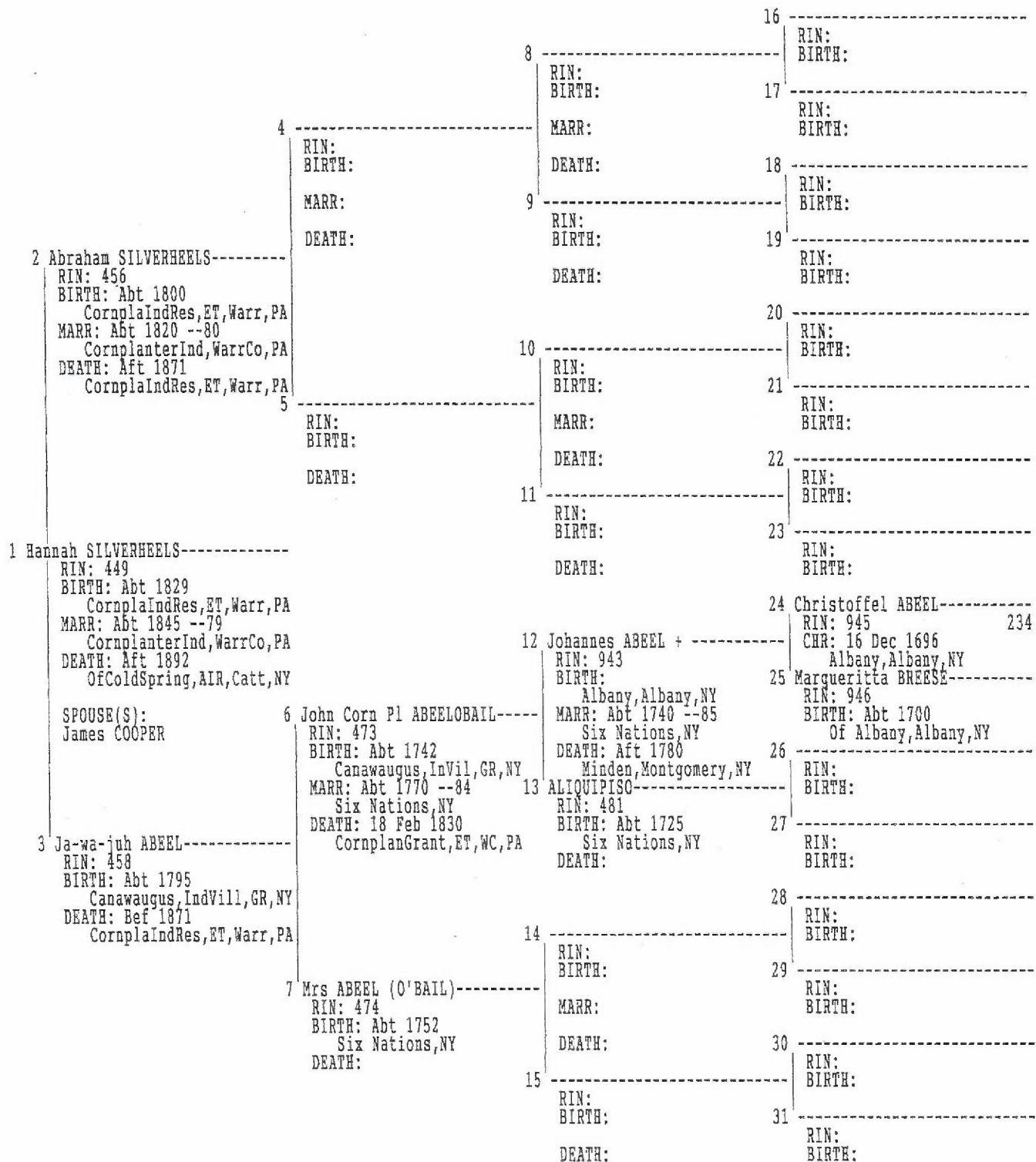
Number 1 on this chart is the same as no. 24 on chart no. 1



Records of: Shirley Patterson Kennedy
 11769 Buffalo St
 Versailles, NY 14168-0129
 USA (716) 532-3660

+ means the individual is a child in another family.
 Relationship: (B)=Biological, (A)=Adopted, (G)=Guardian, (C)=Challenged, (D)=Disproved

Number 1 on this chart is the same as no. 29 on chart no. 1



Records of: Shirley Patterson Kennedy
 11769 Buffalo St
 Versailles, NY 14168-0129
 USA (716) 532-3660

+ means the individual is a child in another family.
 Relationship: (B)=Biological, (A)=Adopted, (G)=Guardian, (C)=Challenged, (D)=Disproved

1 Shirley PATTERSON-----
 RIN: 1
 BIRTH: 19 Aug 1931
 CattIndRes, CoTwp, Erie, NY
 MARR: 3 Nov 1959 --1
 CattIndRes, CoTwp, Erie, NY
 BURIAL:

 SPOUSE(S):
 Edward Jr. KENNEDY

2 Franklin PATTERSON-----
 RIN: 8
 BIRTH: 26 Feb 1906
 CattIndRes, Irvin, Chau, NY
 MARR: 15 Aug 1928 --2
 Cattaraugus Co, NY
 DEATH: 1992

3 Edith CROUSE-----
 RIN: 9
 BIRTH: 24 Dec 1906
 Steamburg, AlnRe, Catt, NY
 DEATH: 1 Feb 1992
 CattIndRes, CoTwp, Erie, NY

4 Frank PATTERSON-----
 RIN: 43
 BIRTH: 22 Feb 1859
 CatIndRes, Irvi, Chau, NY
 MARR: Abt 1905 --7
 CattIndRes, CTw, Erie, NY
 DEATH: Nov 1925
 CattIndRes, CTw, Erie, NY

5 Jennie EELS-----
 RIN: 44
 BIRTH: 27 Jul 1870/1871
 CattIndRes, CTw, Erie, NY
 BURIAL:

6 Jerome CROUSE-----
 RIN: 13
 BIRTH: Jun 1872
 AllegIndRes, Cattar, NY
 MARR: 1898 --3
 ColdSpriTw, AIR, Catt, NY
 DEATH: DEAD

7 Hannah COOPER-----
 RIN: 14
 BIRTH: Oct 1884
 OfCatt Ind Res, Erie, NY
 DEATH: Bef 1920
 OfAllegIndRes, catt, NY

8 John PATTERSON-----
 RIN: 63
 BIRTH: Feb 1822
 AllegIndRes, Cattara, NY
 MARR: Abt 1851 --46
 OfAllegIndRes, Catta, NY
 DEATH: 12 Nov 1902
 Catt Ind Res, Erie, NY

9 Mary GAGWIYENTBAH WHITE-----
 RIN: 253
 BIRTH: Aug 1831
 BuffCreekReser, Niag, NY
 DEATH:

10 Thomas EELS-----
 RIN: 49
 BIRTH: May 1842
 OfCatIndRes, CT, Erie, NY
 MARR: 1869 --9
 CattIndRes, CTw, Erie, NY
 DEATH: 7 May 1909
 CattIndRes, CTw, Erie, NY

11 Aurelia TALLCHIEF-----
 RIN: 50
 BIRTH: Sep 1851
 OfCatIndRes, CT, Erie, NY
 DEATH: 1926
 CattIndRes, CTw, Erie, NY

12 Cyrus CROUSE-----
 RIN: 18
 BIRTH: 1831
 OfColdSpri, AIR, Catt, NY
 MARR: Abt 1855/1856 --4
 AllegIndRes, Cattara, NY
 DEATH: Bef 1900
 OfColdSpri, AIR, Catt, NY

13 Betsy PATTERSON-----
 RIN: 19
 BIRTH: Mar 1833
 OfColdSpri, AIR, Catt, NY
 DEATH: Aft 1900
 OfColdSpri, AIR, Catt, NY

14 Hiram COOPER-----
 RIN: 89
 BIRTH: Abt 1851
 CornplGrant, ET, Warr, PA
 MARR: Abt 1882/1883 --17
 OfCatt Ind Res, Erie, NY
 DEATH: 6 Jan 1919
 OfCatt Ind Res, Erie, NY

15 Lydia MOHAWK-----
 RIN: 90
 BIRTH: 1855/1856
 OfCatt Ind Res, Erie, NY
 DEATH: Bef 1910
 OfColdSpriT, wp, AIR, CCN

16 William PATTERSON [Ch]-----
 RIN: 58
 BIRTH: 1795
 CornplanterRes, Warren, PA

17 Polly BLACKSNAKE-----
 RIN: 59
 BIRTH: 1799
 CornplanGrant, ET, Warr, PA

18 NISHANIAGENT Seneca WHITE---
 RIN: 671
 BIRTH: Abt 1785
 BuffaCreekReserv, Niag, NY

19 Mrs Rebecca AHGWARDHO WHITE--
 RIN: 672
 BIRTH: Abt 1794
 BuffaCreekReserv, Niag, NY

20 James EELS-----
 RIN: 83
 BIRTH: 1813
 Of Catt Ind Res, Erie, NY

21 Mrs Betsy EELS-----
 RIN: 84
 BIRTH: 1812
 Of Catt Ind Res, Erie, NY

22 William TALLCHIEF [Ga]-----
 RIN: 673
 BIRTH: Abt 1826
 SquakieHill, Livingsto, NY

23 Mrs William TALLCHIEF-----
 RIN: 674
 BIRTH: Abt 1829
 Of Catt Ind Res, Erie, NY

24 George W. CROUSE-----
 RIN: 169
 BIRTH: 30 Jan 1807
 OfAllegIndRes, Cattara, NY

25 Clarissa GORDON-----
 RIN: 174
 BIRTH: Abt 1810
 OfAllegIndRes, Cattara, NY

26 William PATTERSON [Ch]-----
 Same as number 16
 on chart 1

27 Polly BLACKSNAKE-----
 Same as number 17
 on chart 1

28 James COOPER-----
 RIN: 264
 BIRTH: Abt 1827
 OfRedHouse, AlnRe, Catt, NY

29 Hannah SILVERHEELS-----
 RIN: 449
 BIRTH: Abt 1829
 CornplnIndRes, ET, Warr, PA

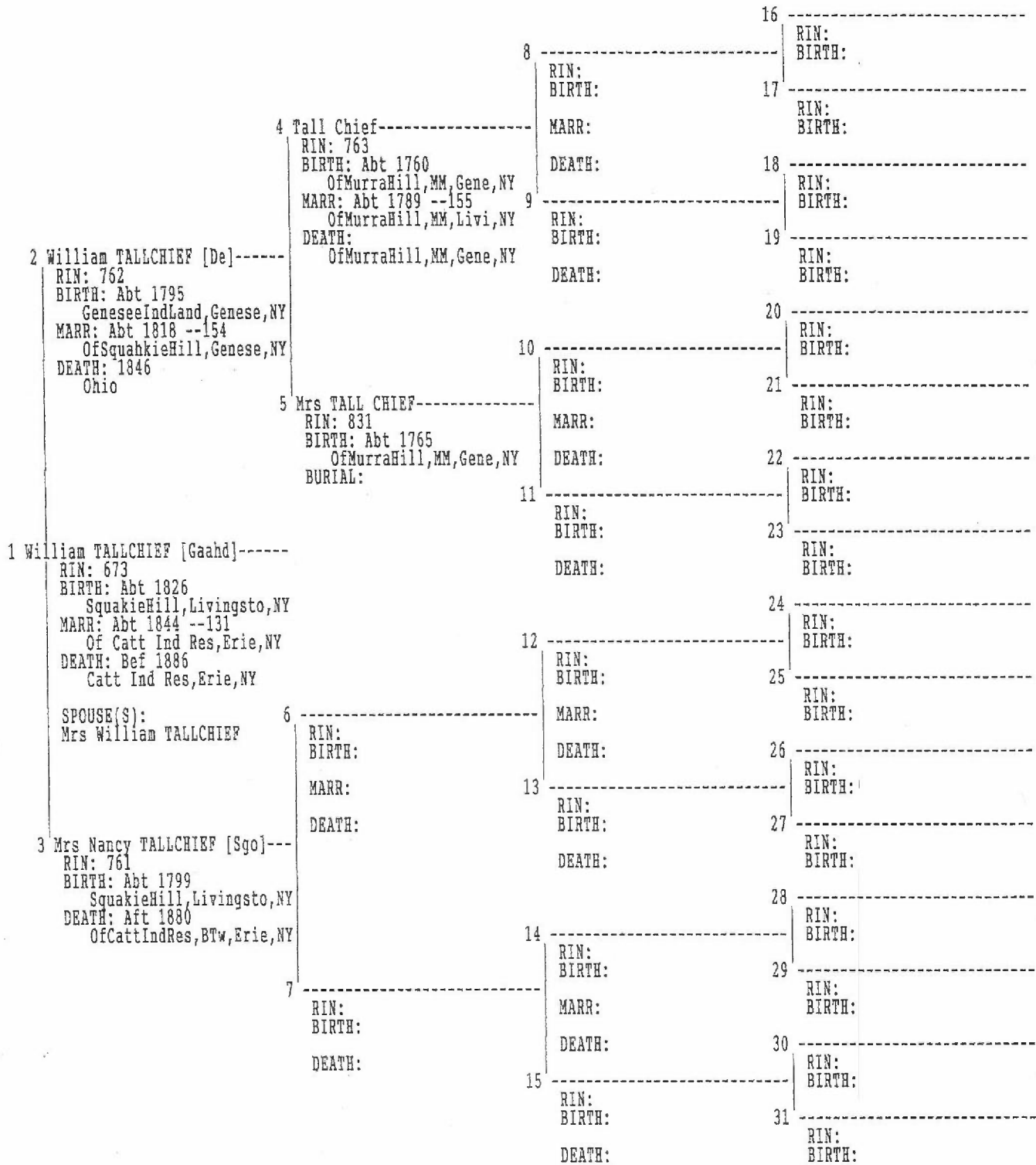
30 Allen MOHAWK-----
 RIN: 2618
 BIRTH: Abt 1833
 OfPineWoods, CIRE, Erie, NY

31 Mrs Mary MOHAWK-----
 RIN: 2619
 BIRTH: Abt 1835
 OfPineWoods, CIRE, Erie, NY

Records of: Shirley Patterson Kennedy
 11769 Buffalo St
 Versailles, NY 14168-0129
 USA (716) 532-3660

+ means the individual is a child in another family.
 Relationship: (B)=Biological, (A)=Adopted, (G)=Guardian, (C)=Challenged, (D)=Disproved

Number 1 on this chart is the same as no. 22 on chart no. 1



Records of: Shirley Patterson Kennedy
11769 Buffalo St
Versailles, NY 14168-0129
USA (716) 532-3660

+ means the individual is a child in another family.
Relationship: (B)=Biological, (A)=Adopted, (G)=Guardian, (C)=Challenged, (D)=Disproved